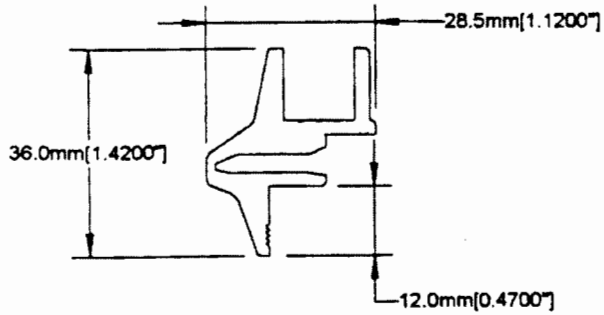


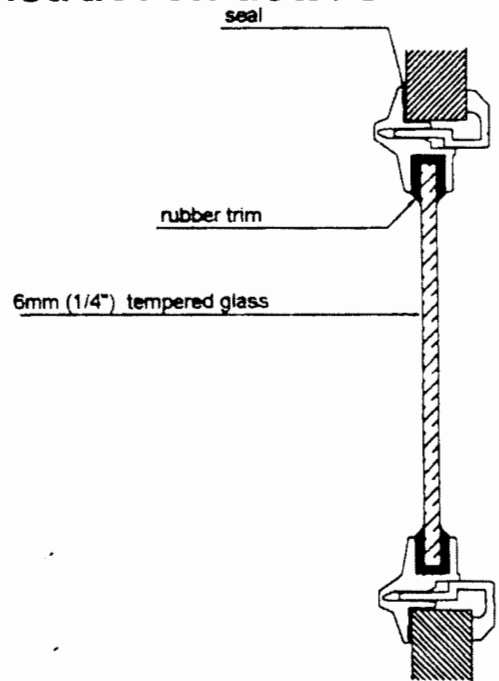
Wall thickness guide

Main dimensions

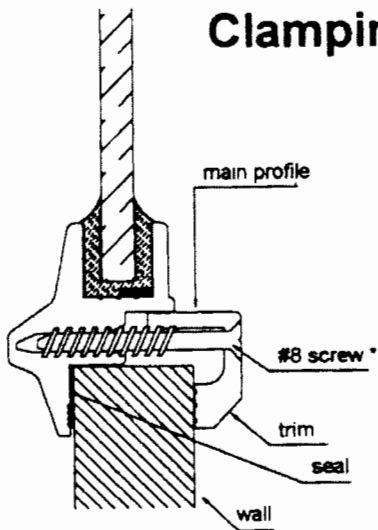


6mm >> 13mm (1/4" >> 1/2")

Construction details



Clamping details



information sheet #6

NUSAIL FIXED WINDOW