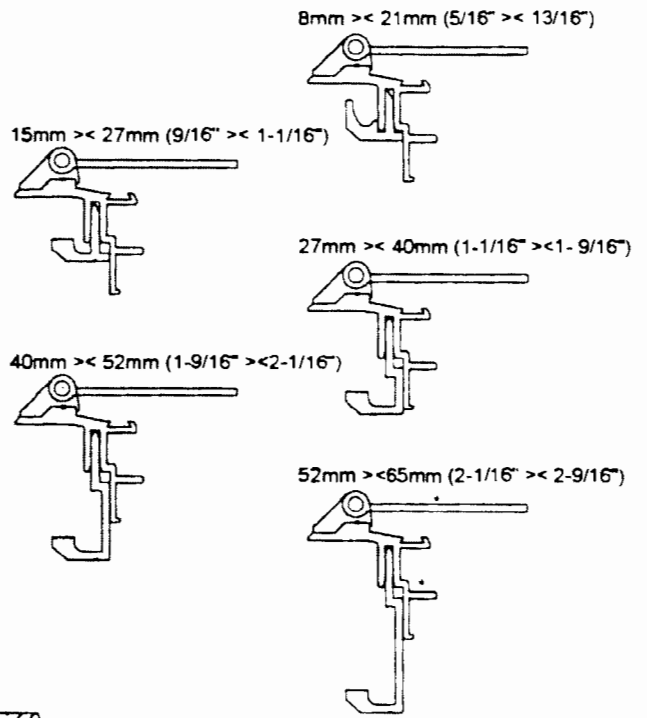
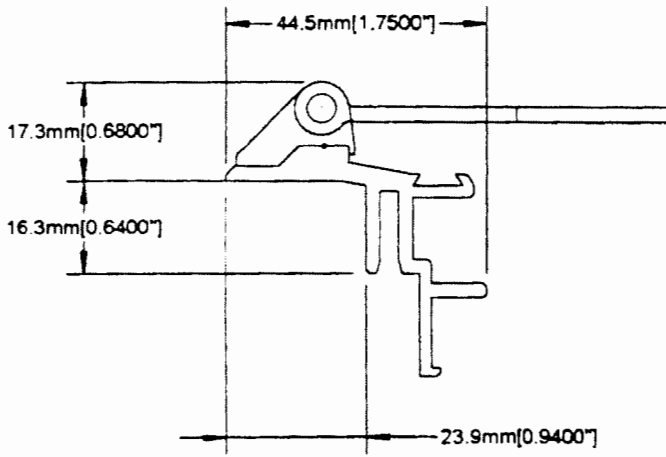
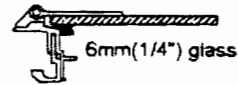
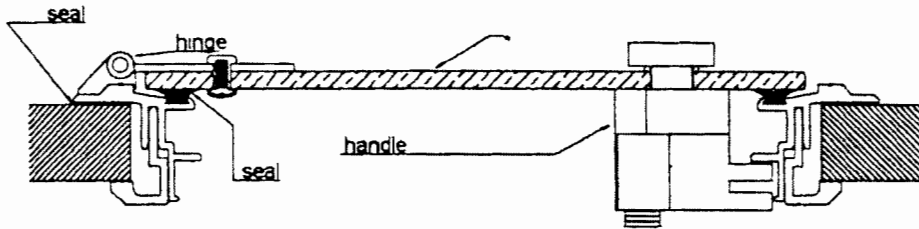


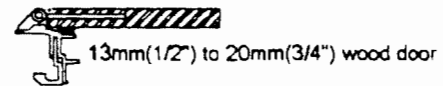
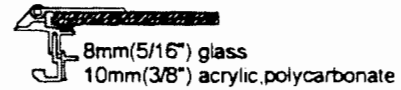
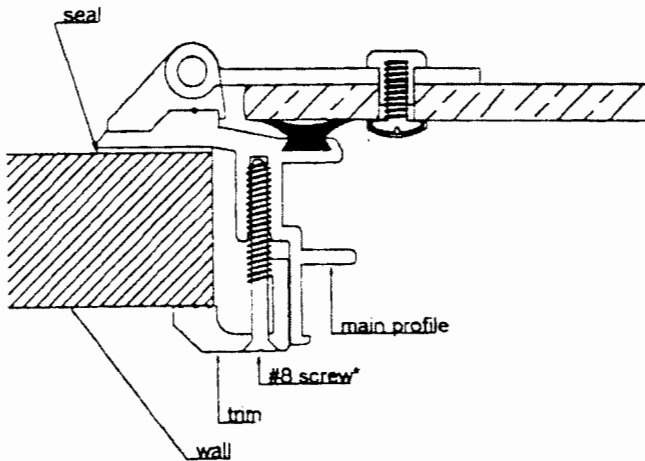
Main dimensions



Construction details



Mounting details



* SCREWS LENGTH = wall thickness + 3/16"



information sheet #5

NOVA HATCH